

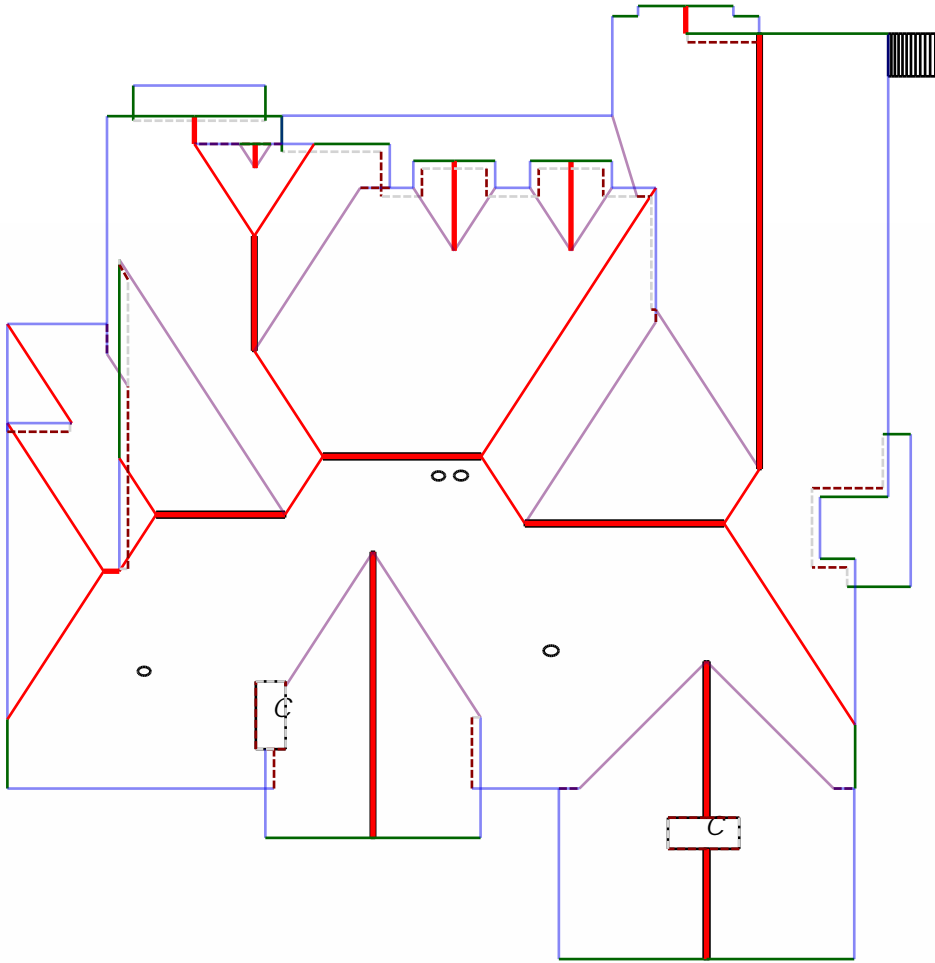


Roofing 1
 123 Street
 City, Texas 77095

Property Address:
 123 Sample St
 Houston, TX 75060

This Report is Made by:
RoofEZ.com
 Accurate Measurements, EZ Savings!
 We take measuring to the next level

Roof Summary Page



Roof Summary Info

Total Squares: 975Q
 Total Area: 9735sqft
 Slope Area: 9708sqft
 Flat Area: 0sqft
 Arch Area: 27sqft
 Total Planes: 64

Ridge Count: 14
 Ridge Length: 177'
 [Ridge length include RV Length]
 Eave Count: 35
 Eave Length: 365'
 Rake Count: 29
 Rake Length: 313'
 Hip Count: 13
 Hip Length: 218'
 Valley Count: 16
 Valley Length: 264'
 Apron Flashing Length: 102'
 Step Flashing Length: 164'
 Total Chimneys: 2
 Pipe Vents: 4
 Ridge Vents: 8
 RV Length: 151'
 Total Arches: 1

Report Contents

Length Diagram page 2
 Pitch Diagram page 3
 Area Diagram page 4
 Notes Diagram page 5
 Images page 6
 Waste Calculation page 7



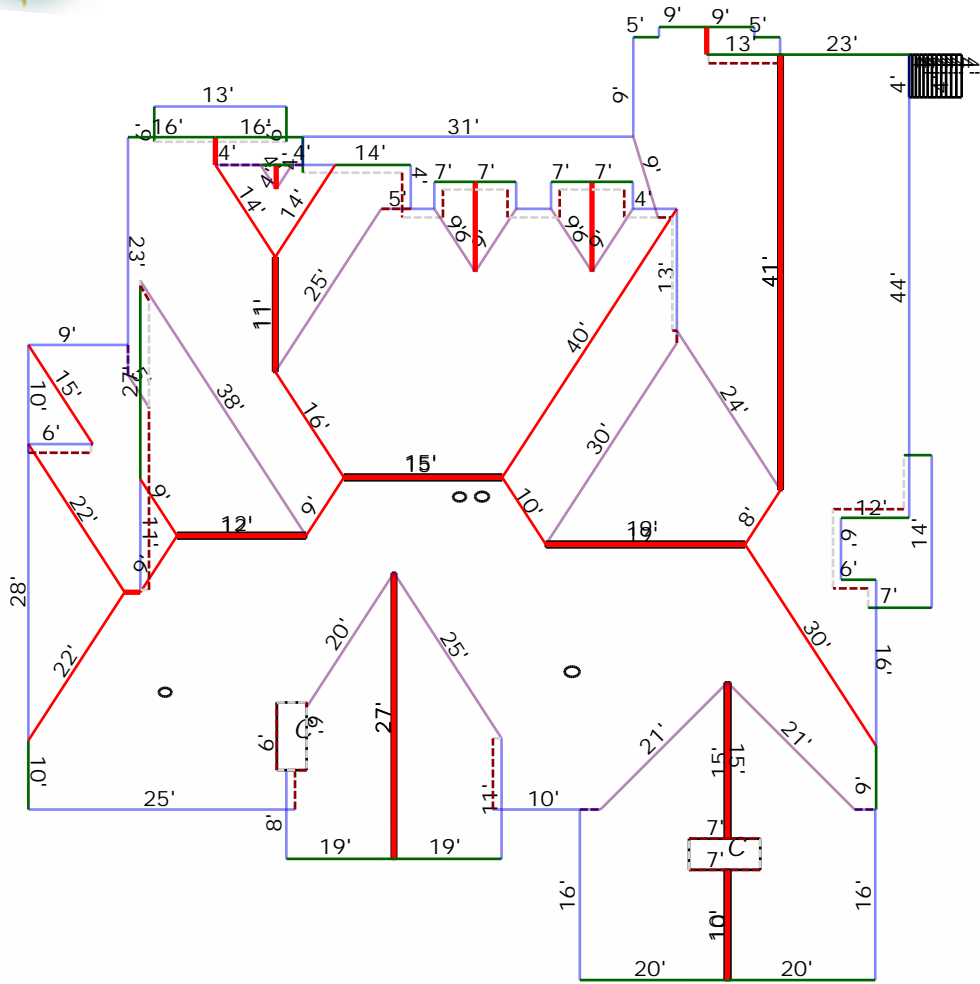


Roofing 1
123 Street
City, Texas 77095

Property Address:
123 Sample St
Houston, TX 75060

This Report is Made by:
RoofEZ.com
Accurate Measurements, EZ Savings!
We take measuring to the next level

Length Diagram



Ridge Length: 177'
Eave Length: 365'
Rake Length: 313'
Hip Length: 218'
Valley Length: 264'
Step Flashing Length: 164'
Apron Flashing Length: 102'



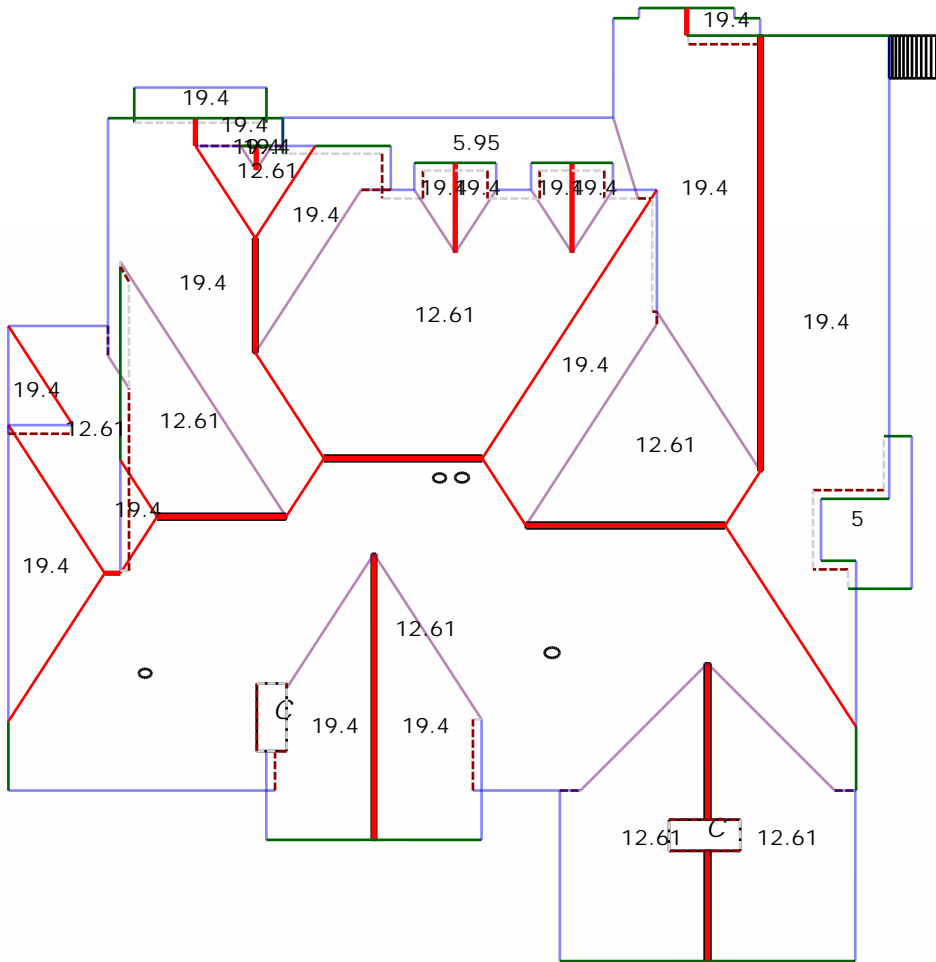


Roofing 1
123 Street
City, Texas 77095

Property Address:
123 Sample St
Houston, TX 75060

This Report is Made by:
RoofEZ.com
Accurate Measurements, EZ Savings!
We take measuring to the next level

Pitch Diagram



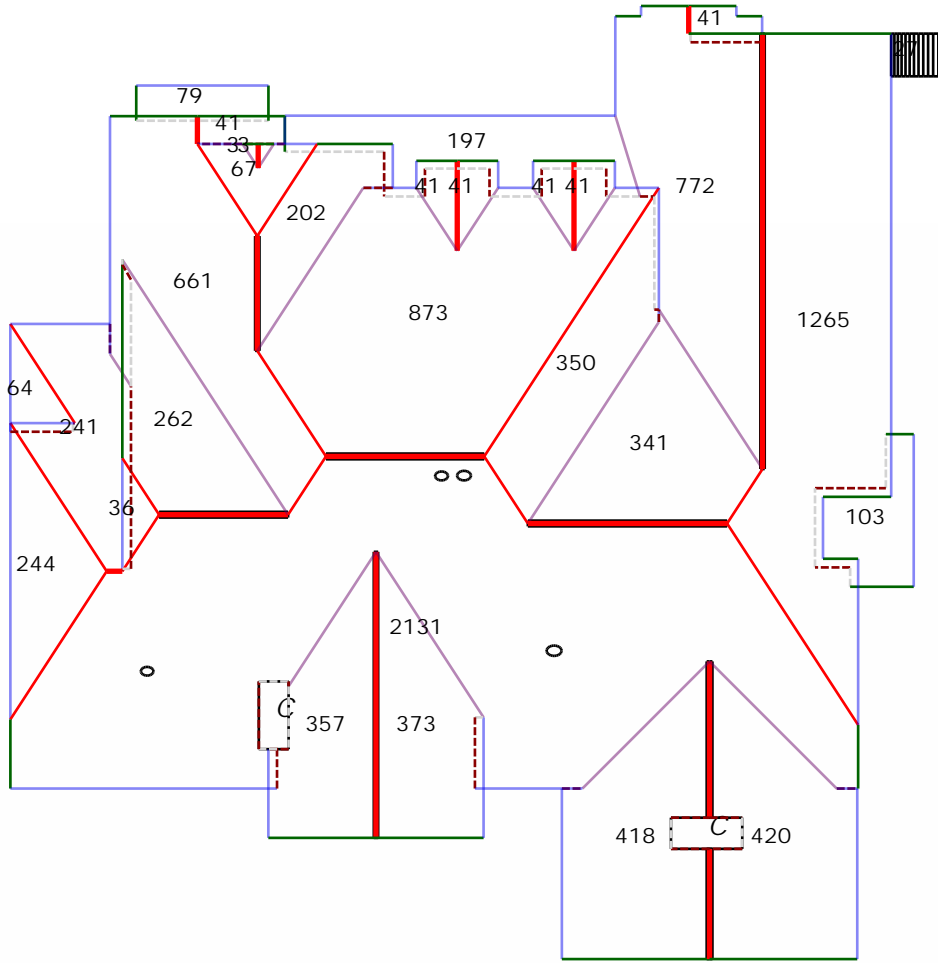


Roofing 1
123 Street
City, Texas 77095

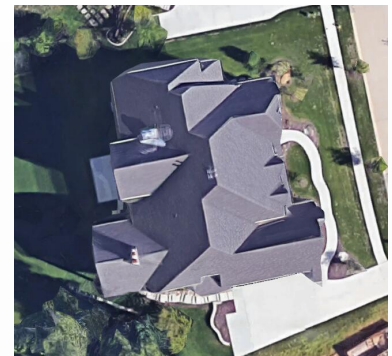
Property Address:
123 Sample St
Houston, TX 75060

This Report is Made by:
RoofEZ.com
Accurate Measurements, EZ Savings!
We take measuring to the next level

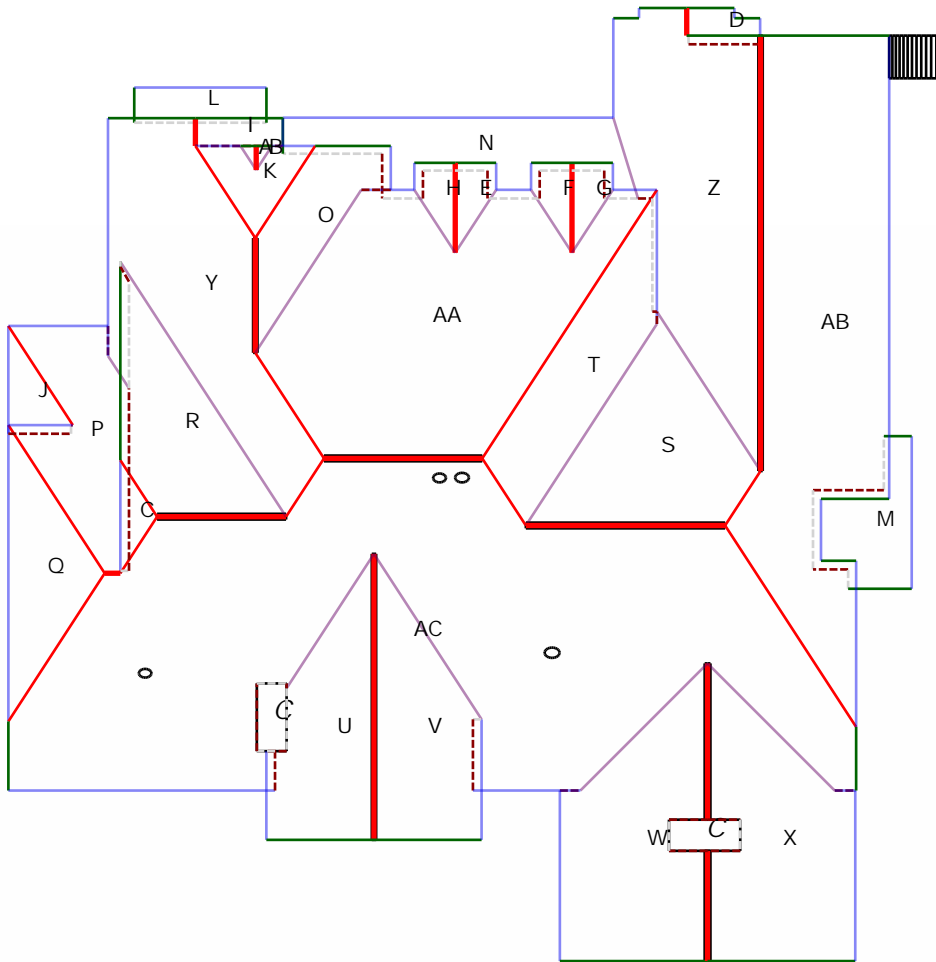
Area Diagram



Total Squares: 975Q
Total Area: 9735sqft
Total Planes: 64



Notes Diagram



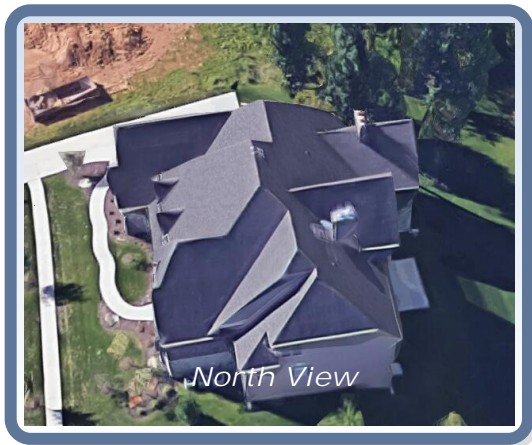
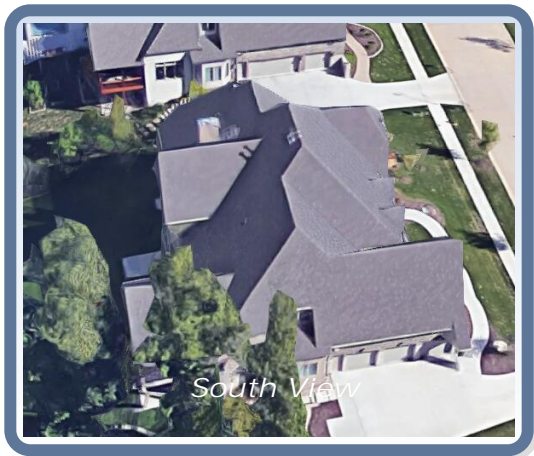
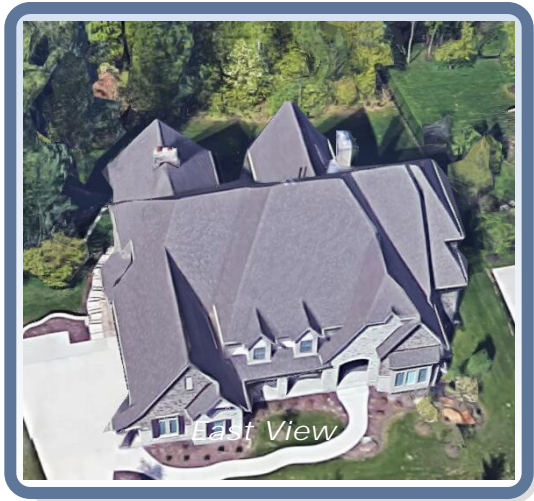
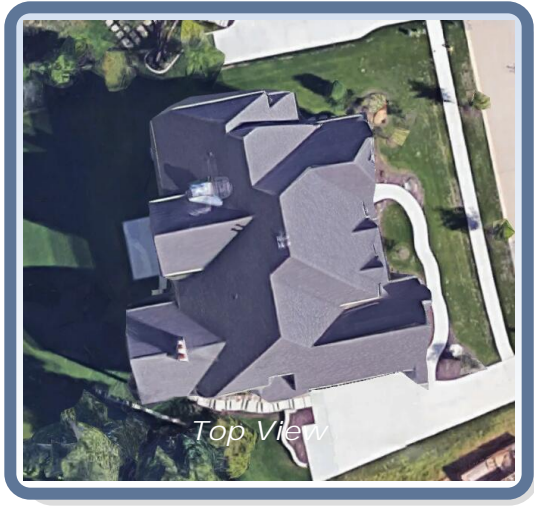
- A : 3 sqft.
- B : 3 sqft.
- C : 36 sqft.
- D : 41 sqft.
- E : 41 sqft.
- F : 41 sqft.
- G : 41 sqft.
- H : 41 sqft.
- I : 41 sqft.
- J : 64 sqft.
- K : 67 sqft. (6 edges, 2 planes)
- L : 79 sqft.
- M : 103 sqft. (8 edges, 2 planes)
- N : 197 sqft. (14 edges, 3 planes)
- O : 202 sqft. (6 edges, 2 planes)
- P : 241 sqft. (8 edges, 2 planes)
- Q : 244 sqft.
- R : 262 sqft.
- S : 341 sqft.
- T : 350 sqft.
- U : 357 sqft. (6 edges, 2 planes)
- V : 373 sqft.
- W : 418 sqft. (9 edges, 2 planes)
- X : 420 sqft. (9 edges, 2 planes)
- Y : 661 sqft. (11 edges, 3 planes)
- Z : 772 sqft. (10 edges, 2 planes)
- AA : 873 sqft. (11 edges, 3 planes)
- AB : 1265 sqft. (9 edges, 2 planes)
- AC : 2131 sqft. (23 edges, 5 planes)
- Arch(es) : 27 sqft. 2 planes.
- CHIMNEY(s) : 2 planes.
- RidgeVent(s) : 8 planes.



Roofing 1
123 Street
City, Texas 77095

Property Address:
123 Sample St
Houston, TX 75060

This Report is Made by:
RoofEZ.com
Accurate Measurements, EZ Savings!
We take measuring to the next level





Roofing 1
 123 Street
 City, Texas 77095

Property Address:
 123 Sample St
 Houston, TX 75060

This Report is Made by:
RoofEZ.com
 Accurate Measurements, EZ Savings!
 We take measuring to the next level

Waste calculation

Waste %	0%	5%	10%	15%	20%	25%
Area (sqft)	9,735	10,222	10,709	11,196	11,682	12,169
Squares:	97.4SQ	102.2SQ	107.1SQ	112.0SQ	116.8SQ	121.7SQ

Only roof area is included in these waste calculations.
 Additional materials needed for ridge, hip, valley, and starter lengths are not included.

Roof Summary Information

Total Area: 9735sqft; 97SQ;
 (Slope: 9708sqft; Flat: 0sqft;
 Arch: 27sqft;)
 Ridge Length: 177' (14 ridges)
 Eave Length: 365' (35 eaves)
 Rake Length: 313' (29 rakes)
 Hip Length: 218' (13 hips)
 Valley Length: 264' (16 valleies)
 Apron Flashing: 102'
 Step Flashing: 164'
 Chimneys: 2
 Ridge Vents: 151'

Major Pitch: 12.61/12
 [sorted by sq ft.]
 Pitch: 12.61/12Area: 4752sqft
 Pitch: 19.40/12Area: 4656sqft
 Pitch: 5.95/12 Area: 197sqft
 Pitch: 5.00/12 Area: 103sqft

[sorted by pitch.]
 Pitch: 19.40/12Area: 4656sqft
 Pitch: 12.61/12Area: 4752sqft
 Pitch: 5.95/12 Area: 197sqft
 Pitch: 5.00/12 Area: 103sqft

